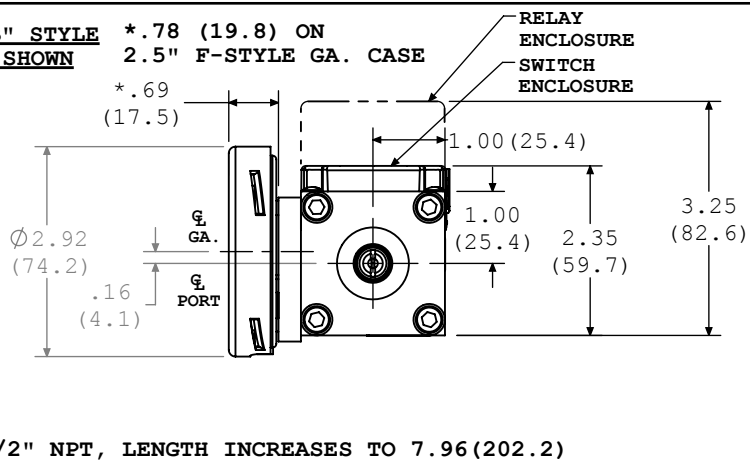
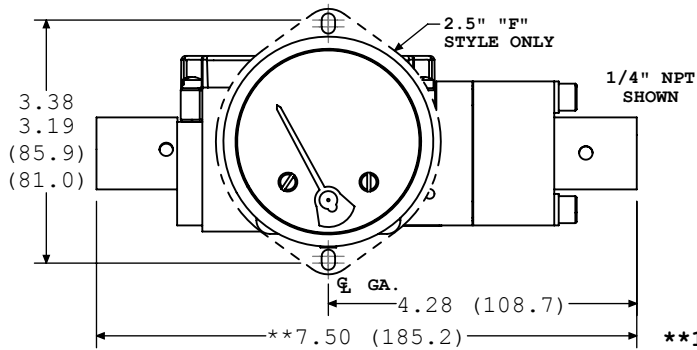


DIAL CASE STYLES

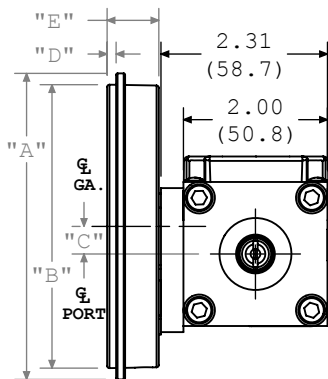
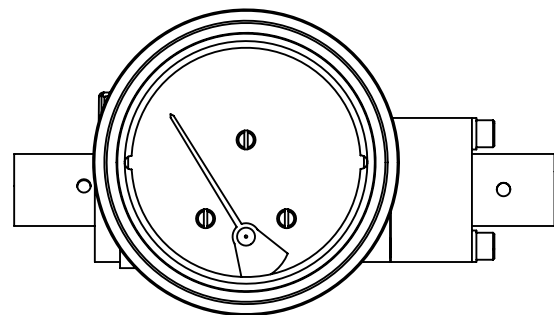
2.5" "F" & "B" STYLE DIAL CASES SHOWN

*.78 (19.8) ON 2.5" F-STYLE GA. CASE



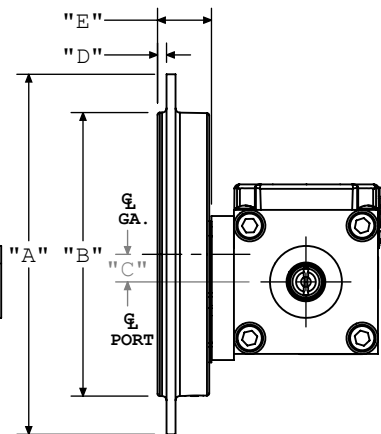
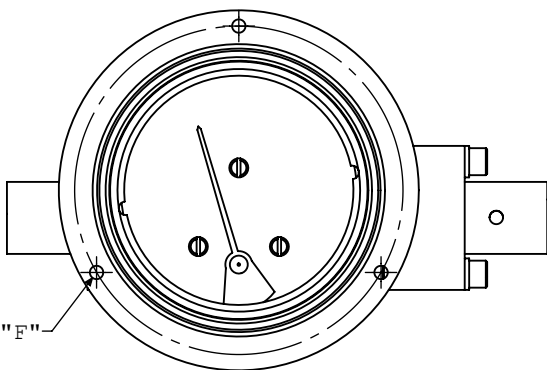
**1/2" NPT, LENGTH INCREASES TO 7.96 (202.2)

B-STYLE GAUGE CASE



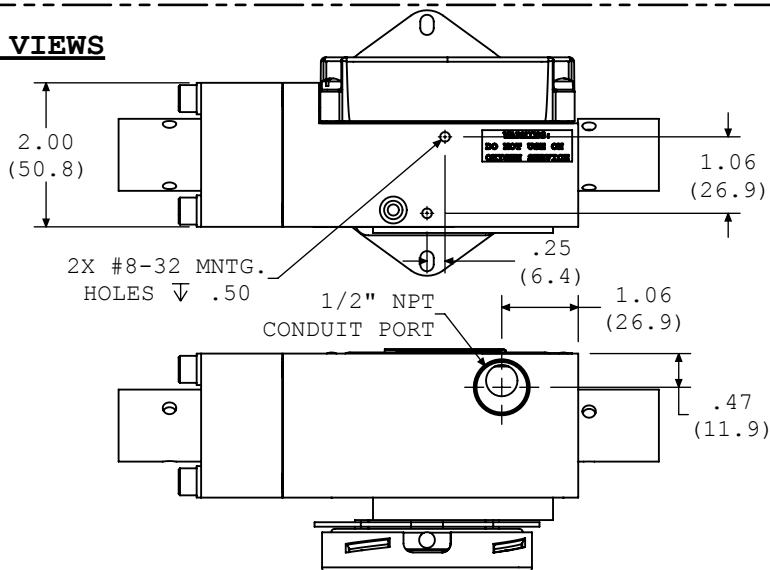
B-STYLE GA. CASE DIMENSIONS			
	3 1/2"	4 1/2"	6.0"
A	4.25 [108]	5.25 [133.4]	6.40 [162.6]
B	3.94 [100.1]	4.94 [125.5]	5.89 [149.6]
C	.25 [6.4]	.62 [15.7]	1.48 [37.6]
D	.13 [3.3]	.13 [3.3]	.39 [9.9]
E	.72 [18.3]	.72 [18.3]	.85 [21.6]

F-STYLE GAUGE CASE

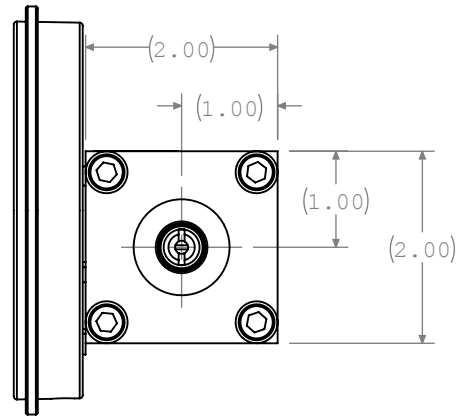
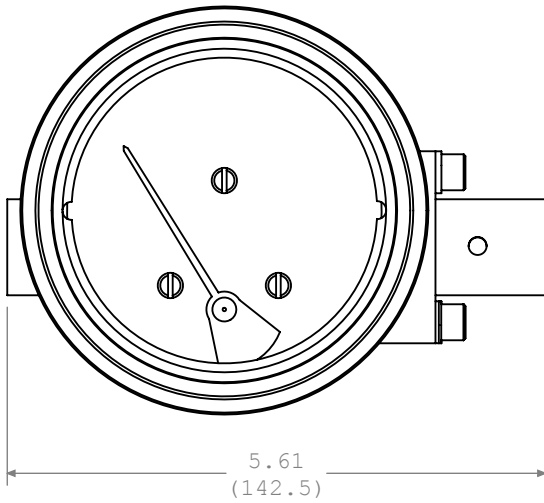


F-STYLE GA. CASE DIMENSIONS			
	3 1/2"	4 1/2"	6.0"
A	5.00 [127]	6.00 [152.4]	7.62 [193.5]
B	3.94 [100.1]	4.94 [125.5]	6.40 [162.6]
C	.25 [6.4]	.62 [15.7]	1.48 [37.6]
D	.13 [3.3]	.13 [3.3]	.39 [9.9]
E	.72 [8.3]	.72 [8.3]	.85 [21.6]
F	PANEL CUTOUT: Ø4.00, 3 MNTG. HOLES Ø.187 EQUALLY SPACED ON A Ø4.56 B.C.	PANEL CUTOUT: Ø5.00, 3 MNTG. HOLES Ø.187 EQUALLY SPACED ON A Ø5.38 B.C.	PANEL CUTOUT: Ø6.50, 3 MNTG. HOLES Ø.187 EQUALLY SPACED ON A Ø7.00 B.C.

BACK AND BOTTOM VIEWS

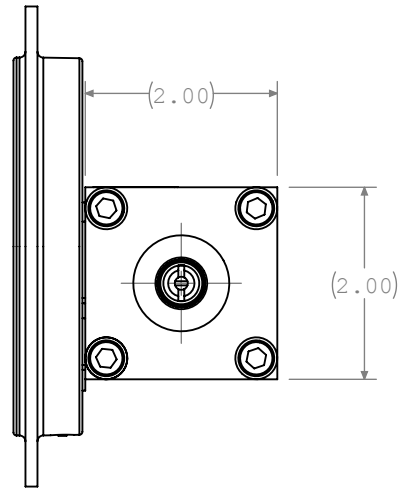
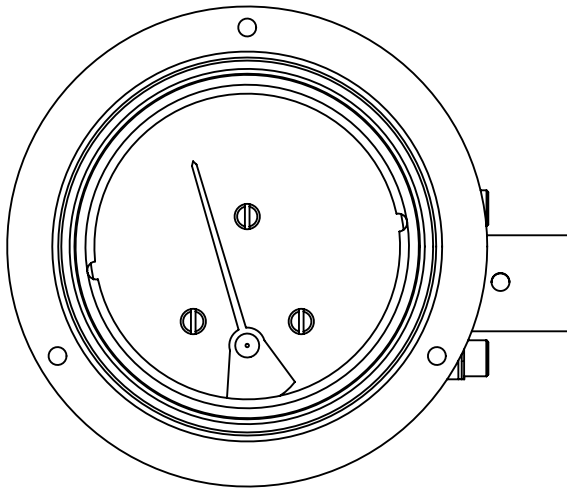


B-STYLE GAUGE CASE



ALSO AVAILABLE IN 2.5B

F-STYLE GAUGE CASE



ALSO AVAILABLE IN 2.5F

BACK VIEW

